

### Installation Instructions

#### Important Note

The HomeWorks Interactive™ breaker panels are required to be installed in a way to provide sufficient access and working space according to the National Electrical Code (NEC). Depending on the installation conditions, a typical installation may require 3-4 ft. in front of the panel and a 30 in. width (to provide enough space for personnel to perform examination, adjustment, servicing and maintenance of the equipment). Please consult your local electrical inspector for all NEC and local installation requirements (other possible requirements may include maximum and minimum breaker height above the floor, proximity to distribution panel, room size and room entrance specifications).

#### Installation

1. **Mount HWI Integrated Control Enclosure** using one of the following methods (mounting hardware is not provided):
  - a. **Surface Mount** - Use keyholes shown in Figure 1 with bolts sufficient for 100 lbs. (45 kg) load (1/4 in. (M6) bolts recommended).
  - b. **Recess Mount** - Use screws sufficient for 100 lbs. (45kg) through the corners of the panel. Mount panel flush to or not more than 1/8 in. (3 mm) below the finished wall surface. Enclosure is 3-7/8 in. (9.8 cm) deep past cover mounting holes. Enclosure cover dimensions are 59-1/2 in. x 15-7/8 in. (151 cm x 41 cm).



**Danger** - Locate and lock supply breaker in the OFF position before wiring to power terminal blocks.



**Caution** - All wiring must be installed in accordance with all local and national electrical codes.



**Caution** - This equipment is air-cooled. Mount in a place where the vented cover will not be blocked. Clearance of 12 in. (30 cm) is required in front of the unit.



**Caution** - This unit is intended for indoor use only.



**Caution** - Modules will hum slightly and internal relays will click while in use. Mount in a location where such noise is acceptable.



**Caution** - Mount panel so that line voltage wiring will be at least 6 ft. (1.8 m) from audio or electronic equipment and its wiring.

Figure 1 - Panel Dimensions

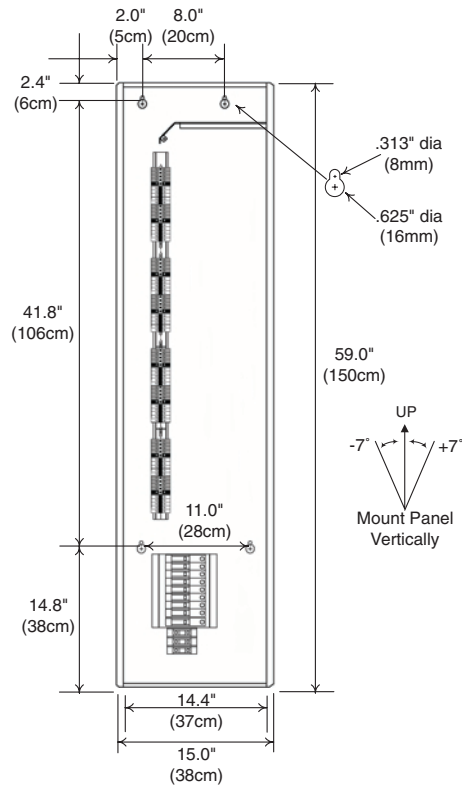
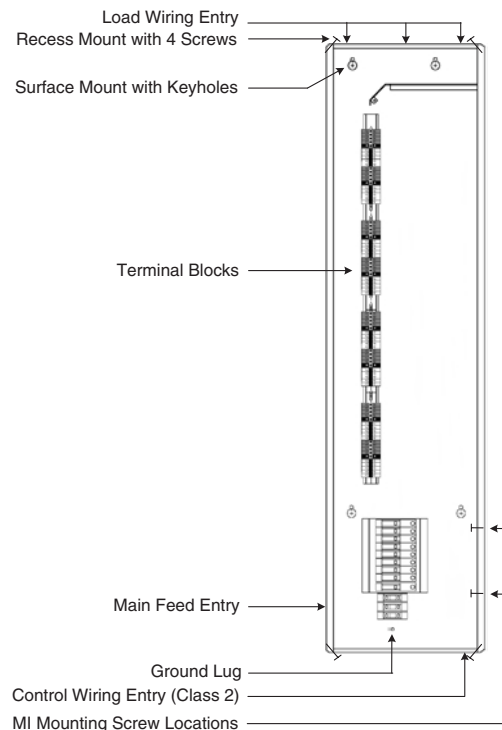


Figure 2 - Wiring and Mounting



**2. Run power wiring (120V/240V 1 Phase 3 Wire, 120V/208V 3 Phase 4 Wire) into the panel.**

Locations to run power wiring into the panel are shown in Figure 2. Wire strip length should be 9/16 in. (1 cm). The Main Lug will accept wire up to 2/0. Tighten Lug to 50 in-lbs. (5.6 Nm) for #14 to 8 AWG and 120 in-lbs. (13.5 Nm) for #6 to 2/0. The HWBP-8D-20-120L3 and HWBP-8D-15-120L3 should be fed with an 80A single-phase feed. The HWBP-8D-20-120L4 and HWBP-8D-15-120L4 should be fed with a 60A three-phase feed. All module and control feed wiring is pre-wired.

**3. Install load wiring.** Each module controls up to 4 loads. Wiring for the HW-RPM-4U, HW-RPM-4E and HW-RPM-4FSQ module is shown in Figure 3. (Wiring for HW-RPM-4M module will differ. Refer to the installation instructions packaged with the module.) The HW-RPM-4R module is not compatible with this panel.



**Caution** - If a module location will be used with a HW-RPM-4M module, tie off the load wiring with a wire connector rather than terminating it to the terminal blocks. New replacement terminal blocks will be provided with these modules.

LABEL EACH WIRE CLEARLY AS YOU WIRE TO THE TERMINAL BLOCKS.

**4. Test all load wiring.** Turn on input power to the module locations. Check all connected lighting to ensure it is on. If a breaker trips, a wiring error or excessive load exists and must be resolved. The pre-installed bypass jumpers will distribute power to each load and **MUST NOT** be removed until after all loads are fully tested and all modules are installed (see Figure 3).



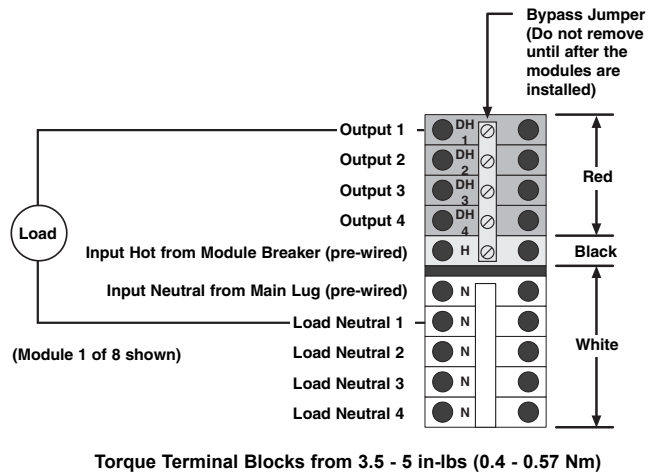
**Caution** - Do not remove bypass jumpers at this time. They will be removed after the modules are installed.

- 5. Mount MI mounting screws.** If enclosure is recess (flush) mounted, install MI mounting screws that are provided. See Figure 2 for locations.
- 6. Complete panel cover label.** Record load names for each zone on the panel cover label.
- 7. Install cover.** Ensure vents are on the right hand side of the cover, over the module area. Tighten cover screws to 20 in-lbs. (2.3 Nm). If a module interface has not been installed, leave this instruction sheet in the enclosure.

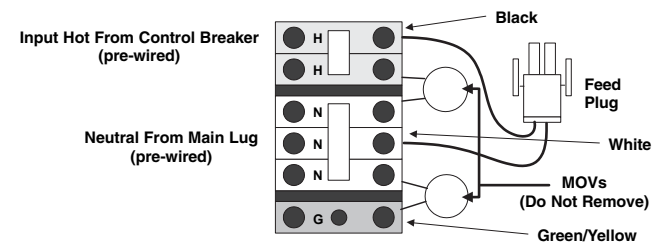
**Technical and Sales Assistance**

If you need assistance, call the toll-free **Lutron Technical Support Center**. Please provide exact model number when calling.  
 (800) 523-9466 (U.S.A., Canada and the Caribbean)  
 Other countries call:  
 Tel: (610) 282-3800  
 Fax: (610) 282-3090  
 Visit our Web site at [www.lutron.com](http://www.lutron.com)

**Figure 3 - Module Wiring (HW-RPM-4U, HW-RPM-4E, and HW-RPM-4FSQ only)**



**Figure 4 - Dedicated Control Assembly Feed**



**World Headquarters**

Lutron Electronics Co., Inc.  
 7200 Suter Road  
 Coopersburg, PA 18036-1299, U.S.A.  
**TOLL FREE:** (800) 523-9466 (U.S.A., Canada and the Caribbean)  
 Tel: (610) 282-3800; International 1 610 282-3800  
 Fax: (610) 282-3090; International 1 610 282-3090

**LIMITED WARRANTY**

Lutron will, at its option, repair or replace any unit that is defective in materials or manufacture within two years after purchase. For warranty service, return unit to place of purchase or mail to Lutron at 7200 Suter Rd., Coopersburg, PA 18036-1299, postage pre-paid. Telephone the Lutron Technical Support Center toll free at 800-523-9466. After the two year period, a prorated warranty applies to this product until eight years after the purchase. For more information regarding this warranty contact your Lutron representative.

**THIS WARRANTY IS IN LIEU OF ALL OTHER EXPRESS WARRANTIES, AND THE IMPLIED WARRANTY OF MERCHANTABILITY IS LIMITED TO TWO YEARS FROM PURCHASE. THIS WARRANTY DOES NOT COVER THE COST OF INSTALLATION, REMOVAL OR REINSTALLATION, OR DAMAGE RESULTING FROM MISUSE, ABUSE, OR IMPROPER OR INCORRECT REPAIR, OR DAMAGE FROM IMPROPER WIRING OR INSTALLATION. THIS WARRANTY DOES NOT COVER INCIDENTAL OR CONSEQUENTIAL DAMAGES. LUTRON'S LIABILITY ON ANY CLAIM FOR DAMAGES ARISING OUT OF OR IN CONNECTION WITH THE MANUFACTURE, SALE, INSTALLATION, DELIVERY, OR USE OF THE UNIT SHALL NEVER EXCEED THE PURCHASE PRICE OF THE UNIT.**

This warranty gives you specific legal rights, and you may also have other rights which vary from state to state. Some states do not allow limitations on how long an implied warranty lasts, so the above limitation may not apply to you. Some states do not allow the exclusion or limitation of incidental or consequential damages, so the above limitation or exclusion may not apply to you.

