

### Description

The GRX-8IT Wireless Remote Control Transmitter provides remote dimming or switching from the palm of your hand. At the press of a button, it signals the Grafik Eye 3000/4000 Control to select one of eight individual scenes. The light level of the selected scene can then be temporarily altered or the scene can be turned off.

### Preparation

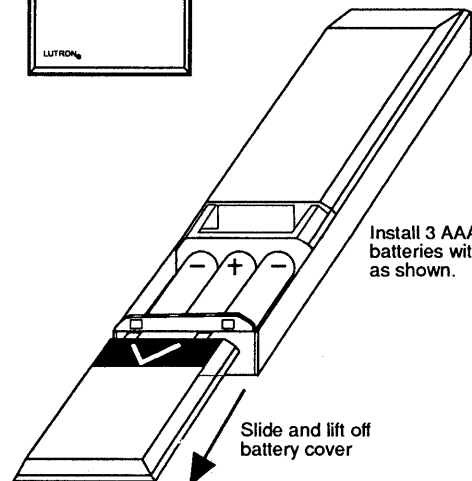
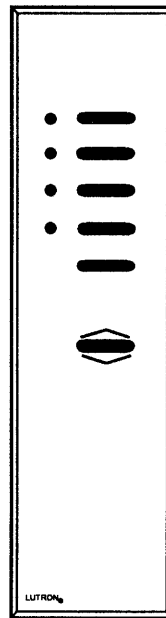
The GRX-8IT Wireless Remote Control Transmitter requires 3 AAA batteries. For best results, use only alkaline batteries.

#### To install batteries:

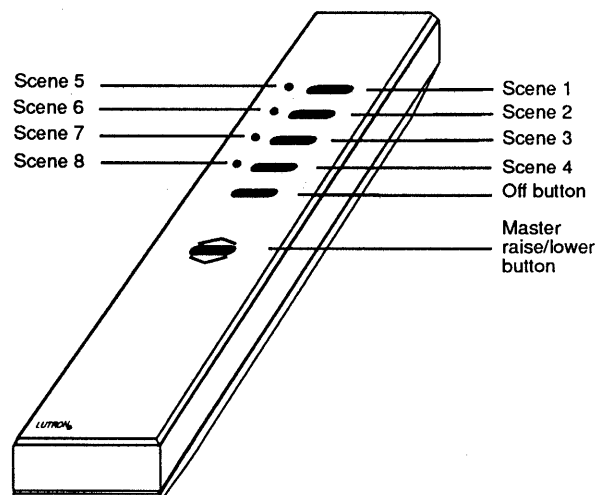
1. Press on "V" and slide battery cover off.
2. Insert batteries as shown.
3. Replace battery cover.

### Setup and Operation

1. Ensure light intensities and fade times for scenes 1 through 8 have been setup on the Grafik Eye Control. If scenes have not been set up, refer to Scene Setup on the back of this sheet.
2. Check operation of the GRX-8IT by pointing the transmitter at the Grafik Eye Control and pressing each scene button (allow lights time to respond). The lights should adjust to each preset level. Pressing the Off button turns the Grafik Eye Control and all corresponding lights off.
3. To change the light level of a scene temporarily: Select scene, then press the Master Raise/Lower button up to raise the light level or down to lower it. The stored scene settings can be changed at the Grafik Eye Control only.



Install 3 AAA Alkaline batteries with terminals as shown.



## Scene Setup

For **each** scene:

1. Press the scene selection button on the transmitter. For scenes 5 through 8, all scene indicator LEDs on the Grafik Eye Control will turn off.
2. Use the Fade Time Raise/Lower Control on the Grafik Eye Control to set the fade Rate.
3. Use the Intensity Raise/Lower Control on the Grafik Eye Control to adjust light intensity of each zone.

## Troubleshooting

Problem	Causes	Remedies
<b>Transmitter has no effect on Grafik Eye Control</b>	Grafik Eye Control power is OFF	Restore power
	Dead, low, or no batteries in transmitter	Install fresh batteries
	Battery inserted incorrectly	Install battery per diagram
	Transmitter is too far away from Grafik Eye Control	Move closer to Grafik Eye Control
	Transmitter is too far to the side of Grafik Eye Control	Move more toward the front of the Grafik Eye Control
	Slow fade time	Check fade time and allow time for Grafik Eye Control to respond to transmitter
<b>All zones turn "OFF" when scene is selected</b>	Same scene selected twice	Select another scene
	Selected scene not setup	Set scene light levels and fade times at Grafik Eye Control

**Note:** If a NTGRX-4Q Special Functions Control is part of the system, confirm that **ALL** of its functions are OFF while troubleshooting.

## Worldwide Technical and Sales Assistance

If you need assistance, call the toll-free Lutron Hotline:

(800) 523-9466 (U.S.A.)

Outside the U.S.A., call (610) 282-3800

Fax (610) 282-3090

Telex 847475 Lutron CPBG

TWX 510-651-3755 LUTRON CPBG

## Warranty

Lutron will, at its option, repair or replace any control that is defective in materials or manufacture within one year after the purchase. For warranty service, return GRX-8IT to place of purchase or mail to Lutron at 7200 Suter Road, Coopersburg, PA 18036-1299, postage prepaid.

This warranty is in lieu of all other warranties, express or implied, and the implied warranty of merchantability is limited to one year from purchase. This warranty does not cover the cost of installation, removal, or reinstallation, or damage resulting from misuse, abuse, or improper wiring or insulation.

This warranty gives you specific legal rights, and you may also have other rights which vary from state to state. Some states do not allow the exclusion or limitation of incidental or consequential damages or limitations on how long an implied warranty may last, so the above limitations and exclusions may not apply to you.

# LUTRON®

Lutron Electronics Co., Inc.  
7200 Suter Road  
Coopersburg, PA 18036-1299  
Made and printed in the U.S.A. 2/94 P/N 040-077