

**Description**

The GRX-IRI Infrared Interface allows auxiliary systems equipped with an IR emitter to control a GRAFIK Eye system. Up to 8 GRAFIK Eye Control Units can be Assigned to listen to the GRX-IRI.

**Features**

The GRX-IRI allows auxiliary systems to access basic functions using standard Lutron IR codes. These functions include:

- Selection of 16 Scenes plus Off on the Assigned group of GRAFIK Eye Control Units.
- Temporary Master Raise or Lower of all zones on the Assigned group of GRAFIK Eye Control Units.

The Assigned group of GRAFIK Eye Control Units is set using address (DIP) switches 1 to 8 on the GRX-IRI.

For ultimate flexibility, the advanced set of Lutron PRO IR codes can be used. These allow individual control of any GRAFIK Eye Control Unit or Zone within the system:

- Selection of 16 Scenes plus Off on any GRAFIK Eye Control Unit in the system (Example: Select Scene 1 on GRAFIK Eye Control Unit 2).
- Temporary Master Raise or Lower of all zones on any GRAFIK Eye Control Unit in the system.
- Raise or Lower any zone on any GRAFIK Eye Control Unit in the system.
- Save the current settings as a scene on a GRAFIK Eye Control Unit (only available with GRAFIK Eye 3500 or 4500 Series Control Units).

**IR Commands**

All IR commands for use with the GRX-IRI are available from:  
[www.lutron.com/products.htm](http://www.lutron.com/products.htm)



**Important Notes**

1. Install in accordance with all applicable regulations.
2. Do not connect high voltage power to device. Improper wiring can result in personal injury or damage to the device or to other equipment.
3. GRAFIK Eye Accessory Controls must be connected to the GRAFIK Eye Control Unit using Class 2 wiring methods, per the National Electrical Code®. Check with your local electrical inspector for the local code requirements and wiring practices in your area.

Internet: [www.lutron.com](http://www.lutron.com)  
 E-mail: [product@lutron.com](mailto:product@lutron.com)

**WORLD HEADQUARTERS**  
 Lutron Electronics Co. Inc.,  
 TOLL FREE: (800) 523-9466  
 (U.S.A., Canada, Caribbean)  
 Tel: (610) 282-3800;  
 International 1- 610-282-3800  
 Fax: (610) 282-3090;  
 International 1-610-282-3090

**GREAT BRITAIN**  
 Lutron EA Ltd.,  
 Tel: 207 702 0657;  
 International 44 207 702 0657  
 Fax: 207 480 6899;  
 International 44 207 480 6899

**GERMANY**  
 Lutron Electronics GmbH  
 Tel: 309 710 4590;  
 International 49 309 710 4590  
 Fax: 309 710 4591;  
 International 49 309 710 4591

**ASIAN HEADQUARTERS**  
 Lutron Asuka Corporation  
 Tel: 3 5575 8411;  
 International 81 3 5575 8411  
 Fax: 3 5575 8420;  
 International 81 3 5575 8420

**HONG KONG SALES OFFICE**  
 Lutron GL (Hong Kong)  
 Tel: 2104 7733;  
 International 852 2104 7733  
 Fax: 2104 7633;  
 International 852 2104 7633

**SINGAPORE**  
 Lutron GL (Singapore)  
 Tel: 65 6220 4666  
 Fax: 65 6220 4333

**LIMITED WARRANTY**

Lutron will, at its option, repair or replace any unit that is defective in materials or manufacture within one year after purchase. For warranty service, return unit to place of purchase or mail to Lutron at 7200 Suter Rd., Coopersburg, PA 18036-1299, postage pre-paid.

This warranty is in lieu of all other express warranties, and the implied warranty of merchantability is limited to one year from purchase. This warranty does not cover the cost of installation, removal, or reinstallation, or damage resulting from misuse, abuse, or improper or incorrect repair, or damage from improper wiring or installation. This warranty does not cover incidental or consequential damages. Lutron's liability on any claim for damages arising out of or in connection with the manufacture, sale, installation, delivery, or use of the unit shall never exceed the purchase price of the unit.

This warranty gives you specific legal rights, and you may also have other rights which vary from state to state. Some states do not allow limitations on how long an implied warranty lasts, so the above limitation may not apply to you. Some states do not allow the exclusion or limitation of incidental or consequential damages, so the above limitation or exclusion may not apply to you. U.S. and foreign patents pending.

Lutron and GRAFIK Eye are registered trademarks of Lutron Electronics Co., Inc.

National Electrical Code is a registered trademark of the National Fire Protection Association, Inc., Quincy, Massachusetts.

© 2004 Lutron Electronics Co., Inc.

## Installation



### Warning:

Always turn Off the circuit breaker/MCB or remove the main fuse from the power line before doing any work. Failure to do so can result in serious personal injury or damage to the product.

Proper wiring of the GRX-IRI is dependent upon the GRAFIK Eye Control System that is providing power. GRAFIK Eye 3000 Series and GRAFIK Eye 4000 Series Control Units have different power limitations and wiring techniques. Please confirm the type of Control Unit to which the Interface is being wired and use the corresponding instructions that follow.

1. Turn power Off.
2. Mount in a standard U.S. 1-gang wallbox, 2.75 in. (70 mm) deep (available from Lutron - P/N 241-519), or directly to wall.
3. Strip insulation from wires so that 3/8 in. (10 mm) of bare wire is exposed for #18 AWG (1.0 mm<sup>2</sup>) wire.
4. Address the GRX-IRI. Each component in a system must be assigned a unique address. The GRX-IRI may be assigned to address 15 or 16 only. Set address (DIP) switch 9 to select address. Default address is 15.



**Note:** All GRAFIK Eye Control Units must be addressed for the GRX-IRI to operate. For instructions on addressing GRAFIK Eye Control Units, please consult the GRAFIK Eye Installer's Guide.

5. Set DIP switches 1 to 8 to Assign the GRAFIK Eye Control Units that the GRX-IRI will talk to. By default, all GRAFIK Eye Control Units will be Assigned.

GRAFIK Eye Address	Assigned (Talks to)	Un-assigned (Does not talk to)
A1		
A2		
A3		
A4		

GRAFIK Eye Address	Assigned (Talks to)	Un-assigned (Does not talk to)
A5		
A6		
A7		
A8		

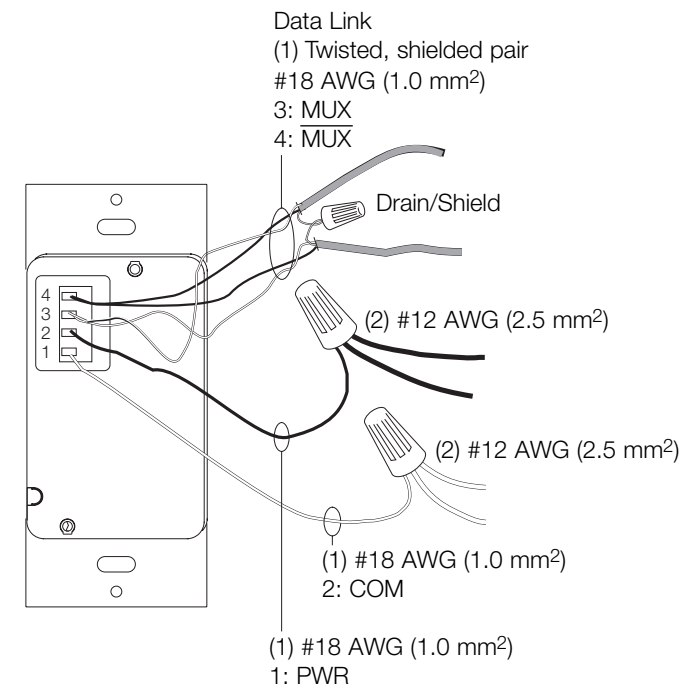
6. Wiring must be done in a daisy-chain and 1-to-1 configuration (please see Installer's Guide included with GRAFIK Eye Control Unit for more information). Each GRX-IRI terminal will accept up to two #18 AWG (1.0 mm<sup>2</sup>) wires.

### 3000 Series System Wiring:

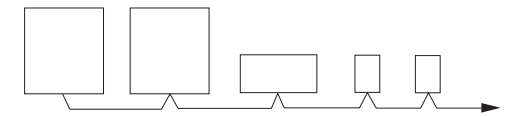
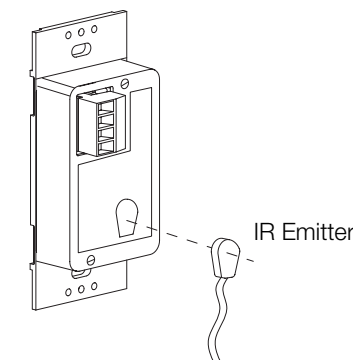
Connect four #18 AWG (1.0 mm<sup>2</sup>) twisted pair wires to the terminal block on the Interface.

### 4000 Series System Wiring:

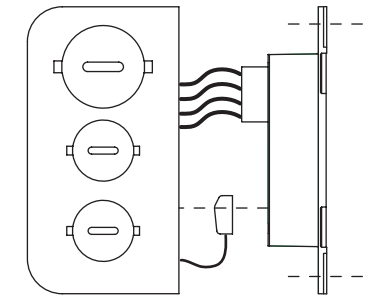
Connect two #18 AWG (1.0 mm<sup>2</sup>) shielded, twisted pair wires to terminals 3 and 4 of the terminal block on the Interface. Shielding must be connected as shown - do not connect to Earth/Ground or Interface. Two #12 AWG (2.5 mm<sup>2</sup>) wires are required for 1: PWR and 2: COM. #12 AWG (2.5 mm<sup>2</sup>) wire will not fit in terminals - connect as shown.



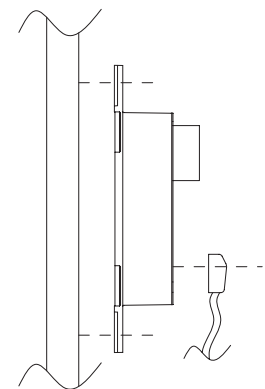
7. Mount the IR emitter over the window on the Interface as shown on the label.



Daisy-chain Configuration



GRX-IRI Mounted in Wallbox



GRX-IRI Mounted Directly to Wall