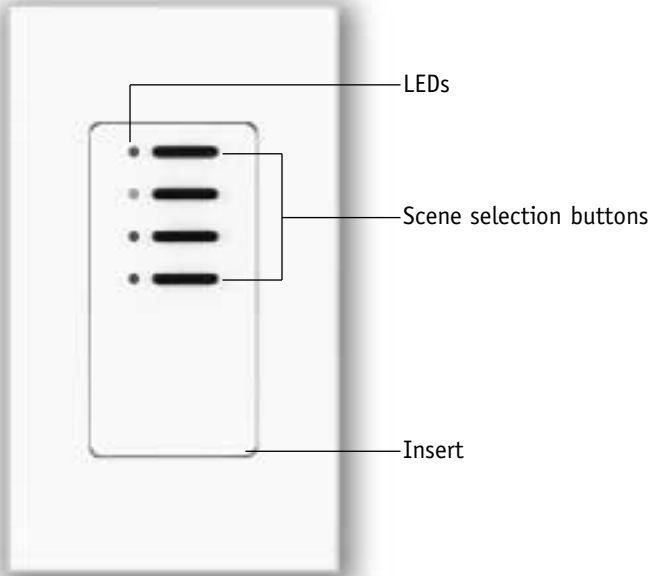


COLOR AND FINISH CODES

NTOMX-4B-____-_____
4-Button Wallstation



DESCRIPTION

- Recalls preset light levels for four scenes
- Reflects door status of four partitions
- Select OMX-DACPI Daylight Control bank of scenes
- Can be ganged with the NTOMX-4S Wallstation to give occupants access to 8, 12, or 16 scenes
- Can be custom-configured for other functions
- Works with Grafik 5000/6000 Systems.

DESIGN OPTIONS

Available with:

- Custom engraving to suit specific project needs
- Green LED's standard, amber optional
- Sleek "no insert" faceplate (eliminates insert line)

JOB NAME:	MODEL NUMBERS:
JOB NUMBER:	

SPECIFICATIONS

Power

Operating voltage: Low-voltage Class 2 (PELV), 32VDC.

Key Design Features

- Meets IEC 801-2. Tested to withstand 15kV electrostatic discharge without damage or memory loss.
- Has faceplate that snaps on with no visible means of attachment.
- Can be ganged to share a common faceplate with NovaT☆ and Vareo Dimmers.

System Communications and Capacity

- Low-voltage Class 2 (PELV) wiring connects Wallstations to Processor Panel.
- You can link up to 32 Wallstations, Control Units, and/or Control Interfaces per Class 2 (PELV) wiring link.

Terminals

Capacity: Accept up to two #18 AWG (1.0mm²) typical.

Environment

32-104°F (0-40°C). Relative humidity less than 90% non-condensing.

Delivery

Ships in 4 to 6 weeks depending on system delivery.

STANDARD COLORS AND FINISHES

Matte Finishes

- White **WH**
- Ivory **IV**
- Beige **BE**
- Gray **GR**
- Brown **BR**
- Black **BL**

Metal Finishes

- Bright Brass **BB**
- Bright Chrome **BC**
- Bright Nickel **BN**
- Satin Brass **SB**
- Satin Chrome **SC**
- Satin Nickel **SN**
- Antique Brass **QB**
- Antique Bronze **QZ**

Anodized Aluminum

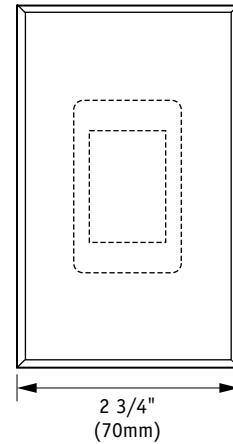
- Clear **CLA**
- Black **BLA**
- Brass **BRA**

- Engraving **E**
- No Insert **NI**

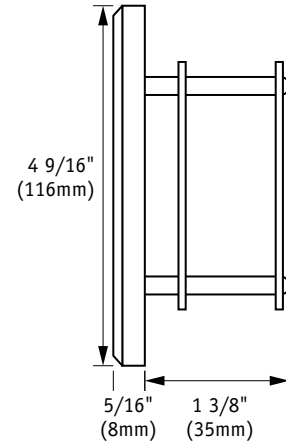
Custom Controls, color matching, and engraving available. Pricing and lead time may vary depending on colors, finishes, and options chosen.

DIMENSIONS

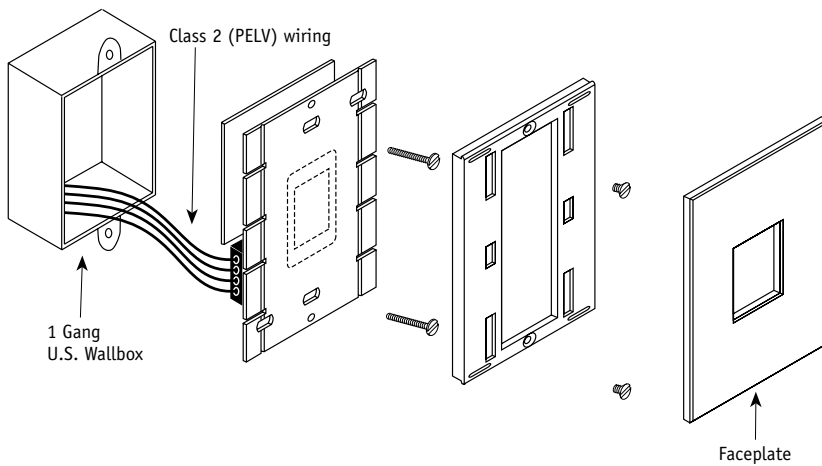
Front View



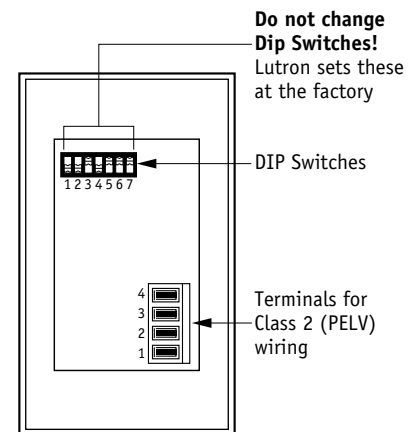
Side View



MOUNTING



Back View



Do not change Dip Switches!
Lutron sets these at the factory

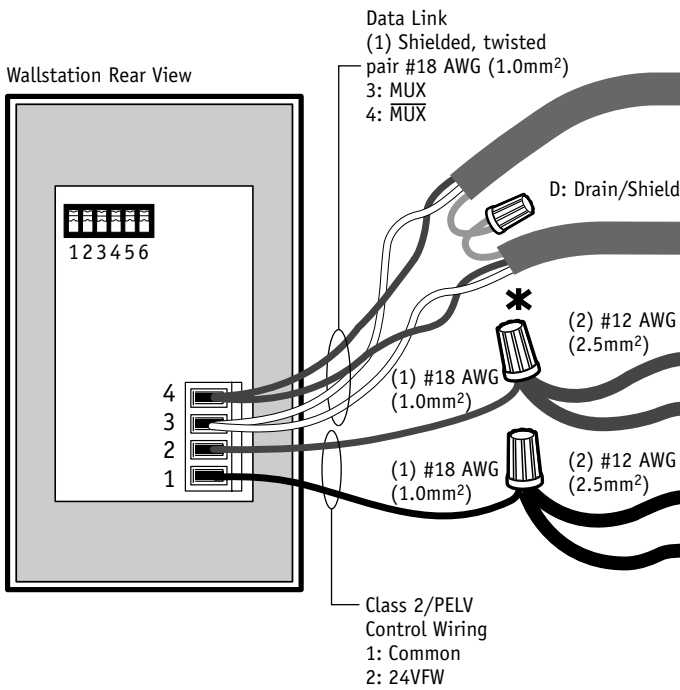
JOB NAME:	MODEL NUMBERS:
JOB NUMBER:	

LOW-VOLTAGE CLASS 2 (PELV) WIRING

Use low-voltage Class 2 (PELV) wiring to daisy-chain Wallstations to the Processor Panel.

- Two #12 AWG (2.5mm²) conductors for common (terminal 1) and 24VFW (terminal 2). These won't fit in terminals. Connect as shown.
- One shielded, twisted pair #18 AWG (1.0mm²) for data link (terminals 3 and 4).
- Connect Drain/Shield as shown.
 - Do not connect to Ground (Earth) or Wallstation.
 - Connect the bare drain wires and cut off the outside shield.

Note: Some Wallstations have a D terminal for Drain. You can connect the Drain/Shield at this terminal.



Make connections inside the wallbox. Or in a switchbox or junction box with a maximum wire length of 8 feet (2.5m) from the link to the Wallstation.

* Use appropriate wire connecting devices as specified by local codes.

JOB NAME:	MODEL NUMBERS:
JOB NUMBER:	