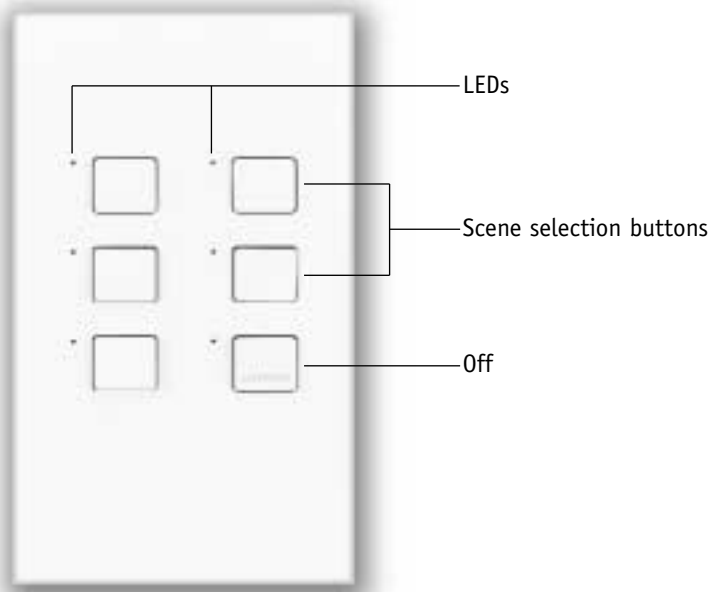


COLOR AND FINISH CODES

# NTOMX-LB6-\_\_-\_\_-\_\_ 6-Button Wallstation with Large Buttons



### DESCRIPTION

Easy-to-use, large-button format. Mounts in a standard 1 Gang U.S. wallbox. Lets occupants select up to five scenes.

- Scene selection buttons activate scenes.
- Lower right button turns lights off.
- Status LEDs show which scene is selected.

Can be custom-configured for other functions.

Works with Grafik 5000/6000 Systems.

### DESIGN OPTIONS

Available with:

- Custom engraving on buttons to suit specific project needs
- Amber LEDs standard, green optional

<p>JOB NAME:</p>  <p>JOB NUMBER:</p>	<p>MODEL NUMBERS:</p>
--	-----------------------

**SPECIFICATIONS**

**Power**

Operating voltage: Low-voltage Class 2 (PELV), 32VDC.

**Key Design Features**

- Meets IEC 801-2. Tested to withstand 15kV electrostatic discharge without damage or memory loss.
- Has faceplate that snaps on with no visible means of attachment.
- Can be ganged to share a common faceplate with NovaT and Vareo Dimmers.

**System Communications and Capacity**

- Low-voltage Class 2 (PELV) wiring connects Wallstations to Processor Panel.
- You can link up to 32 Wallstations, Control Units, and/or Control Interfaces per Class 2 (PELV) wiring link.

**Terminals**

Capacity: Accept up to two #18 AWG (1.0mm<sup>2</sup>) typical.

**Environment**

32-104°F (0-40°C). Relative humidity less than 90% non-condensing.

**Delivery**

Ships in 4 to 6 weeks depending on system delivery.

**COLOR AND FINISH CODES**

**Matte Finishes**

(Buttons match faceplate)

- White **WH**
- Ivory **IV**
- Beige **BE**
- Gray **GR**
- Brown **BR**
- Black **BL**

**Metal Finishes**

(Black buttons)

- Bright Brass **BB**
- Bright Chrome **BC**
- Bright Nickel **BN**
- Satin Brass **SB**
- Satin Chrome **SC**
- Satin Nickel **SN**
- Antique Brass **QB**
- Antique Bronze **QZ**

**Anodized Aluminum**

(Black buttons)

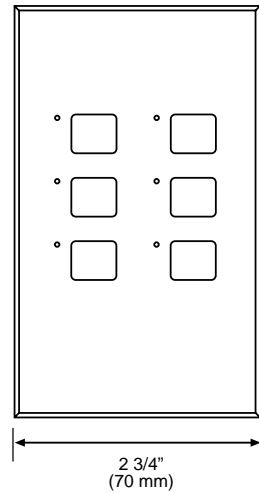
- Clear **CLA**
- Black **BLA**
- Brass **BRA**

**Engraving E**

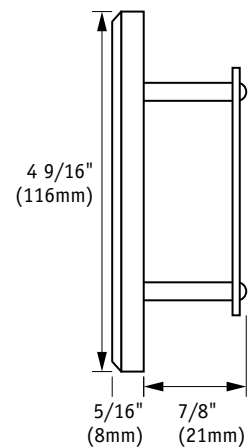
Custom Controls, color matching, and engraving available. Pricing and lead time may vary depending on colors, finishes, and options chosen.

**DIMENSIONS**

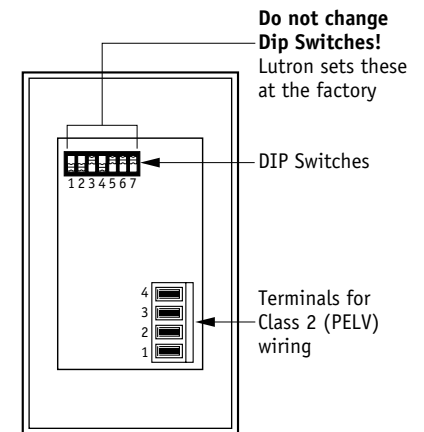
**Front View**



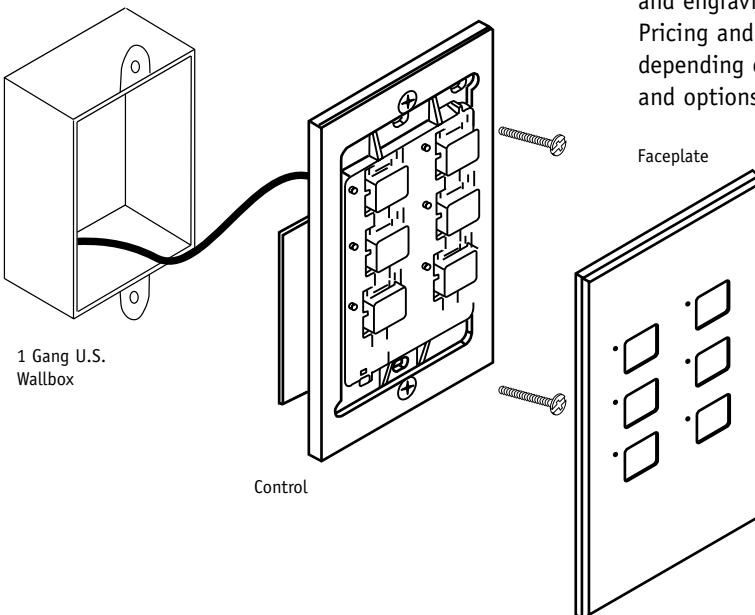
**Side View**



**Back View**



**MOUNTING**



1 Gang U.S. Wallbox

Control

Faceplate

JOB NAME:	MODEL NUMBERS:
JOB NUMBER:	

