

OMX-4600 Control Units

Cover (shown open)



Preset Controls

- 4 preset lighting scenes and off for up to 24 zones, accessible from Control Unit faceplate.
- Additional scenes stored in Processor Panel, accessible via Wallstations, Control Interfaces, and/or PC.
- Light levels fade smoothly between scenes. Fade time: 0-59 seconds or 1-60 minutes. Can be set differently for each scene or each zone through the Processor.

Key Design Features

- Meets IEC 801-2. Tested to withstand 15kV electrostatic discharge without damage or memory loss.
- Provides power failure memory: Automatically restores lighting to scene selected prior to power interruption.
- Has faceplate that snaps on with no visible means of attachment.

System Communications and Capacities

- Low-voltage Class 2 (PELV) wiring connects Control Units to other system components.
- The OMX-4600 Control Unit counts as one of 32 maximum Wallstations and/or Control Interfaces allowed on a Class 2 (PELV) Wallstation Link.

Environment

32-104°F (0-40°C). Relative humidity less than 90% non-condensing.

DESCRIPTION

- Used with GRAFIK 5000/6000 lighting control systems.
- Supply dimming for up to 24 zones¹.
- Control virtually any light source.
- Provide pushbutton recall of four preset lighting scenes.
- Provide lockout options to prevent accidental changes.
- Include built-in infrared receivers.

Models available to:

- Control two to 24 zones of lighting.

SPECIFICATIONS

Operating Voltage

- Low-voltage Class 2 (PELV), 32VDC.
- Lightning Strike Protection: Meets ANSI/IEEE standard 62.41-1980. Can withstand voltage surges of up to 6000V and current surges up to 3000A.

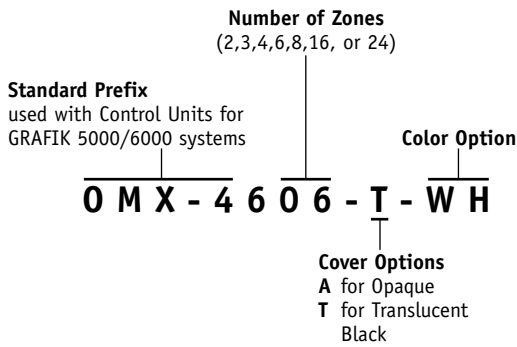
Sources/Load Types

Operates sources with a smooth continuous Square Law dimming curve or on a full conduction non-dim basis via GP and LP Dimming Panels and XP Softswitch™ Panels.

¹ OMX-4600 Control Unit zones count towards the maximum number of zones allowed in GRAFIK 5000/6000 System.

JOB NAME:	MODEL NUMBERS:
JOB NUMBER:	

HOW TO BUILD A MODEL NUMBER



MODELS

NUMBER OF ZONES	MODEL NUMBER
2	OMX-4602- -
3	OMX-4603- -
4	OMX-4604- -
6	OMX-4606- -
8	OMX-4608- -
16	OMX-4616- -
24	OMX-4624- -

COVER OPTIONS

- Opaque **A**
- Cover and Base will match.
- Translucent Black **T**
- Black cover and your choice of base color.

BASE COLORS

Matte Finishes

- White **GWH**
- Ivory **IV**
- Beige **BE**
- Gray **GR**
- Brown **BR**
- Black **BL**

Gloss Finishes

- Cover Choice: **A** only
- White **GWH**
- Light Almond **GLA**
- Almond **GAL**
- Ivory **GIV**

Metal Finishes

- Cover Choice: **T** only
- Bright Brass **BB**
- Bright Chrome **BC**
- Bright Nickel **BN**
- Satin Brass **SB**
- Satin Chrome **SC**
- Satin Nickel **SN**
- Antique Brass **QB**
- Antique Bronze **QZ**

Anodized Aluminum

- Clear **CLA**
- Black **BLA**
- Brass **BRA**

Custom Controls, color matching, and engraving available

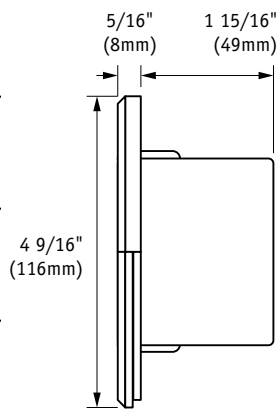
DELIVERY

Control Units ship in 4 to 6 weeks depending on system delivery.

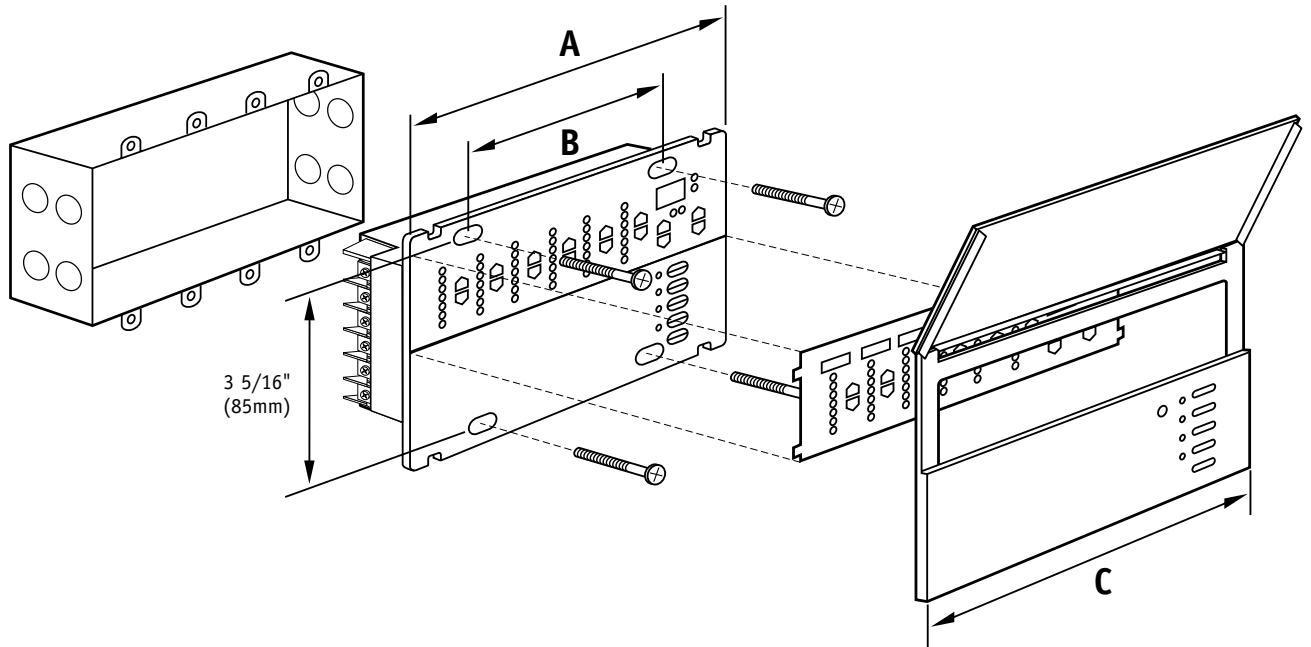
JOB NAME:	MODEL NUMBERS:
JOB NUMBER:	

DIMENSIONS AND MOUNTING

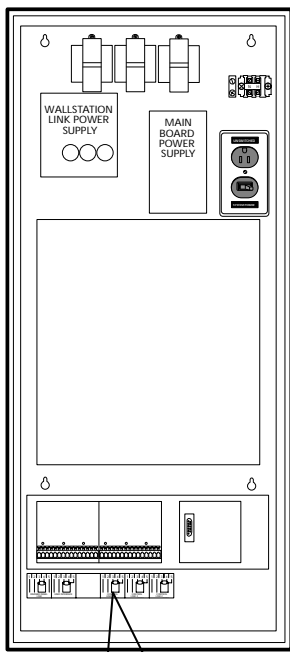
MODEL	SIDE VIEW	A	B	C	WALLBOX ¹ U.S. SIZE	DEPTH
2-Zone: OMX-4602		4 5/16" (123mm)	1 13/16" (46mm)	5.56" (141mm)	2 Gang	3.5" (89mm)
3-Zone: OMX-4603		6 11/16" (168mm)	3 5/8" (92mm)	7.25" (184mm)	3 Gang	3.5" (89mm)
4-Zone: OMX-4604		8 5/16" (208mm)	5 7/16" (138mm)	8.94" (227mm)	4 Gang	3.5" (89mm)
6-Zone: OMX-4606		8 5/16" (208mm)	5 7/16" (138mm)	8.94" (227mm)	4 Gang	3.5" (89mm)
8-Zone: OMX-4608		8 5/16" (208mm)	5 7/16" (138mm)	8.94" (227mm)	4 Gang	3.5" (89mm)
16-Zone: OMX-4616		8 5/16" (208mm)	5 7/16" (138mm)	8.94" (227mm)	4 Gang	3.5" (89mm)
24-Zone: OMX-4624		8 5/16" (208mm)	5 7/16" (138mm)	8.94" (227mm)	4 Gang	3.5" (89mm)



¹ Can be ordered from Lutron as Part Number 241-519 (1 Gang gangable boxes).

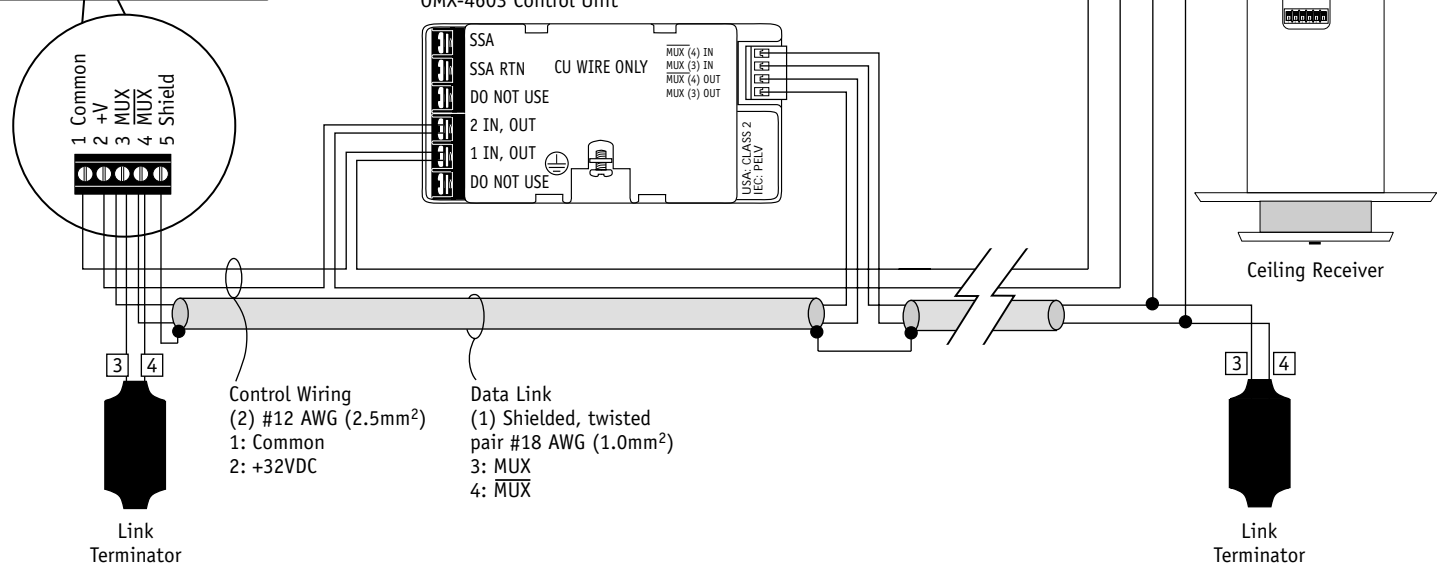


JOB NAME:	MODEL NUMBERS:
JOB NUMBER:	



CLASS 2 (PELV) TERMINAL WIRING

- **Daisy-chain all wiring!** Make connections in the Control Unit's wallbox. Or, in a switchbox or junction box with a maximum wire length of 8 feet (2.5m) from the link to the Control Unit.
- **Keep Shield/Drain continuous but do not ground:**
 - Connect the bare drain wires and cut off the outside shield.
 - Do not connect to Ground (Earth) or Wallstation/Control Interfaces.
- **Begin and end wiring link with Link Terminators!**



JOB NAME:	MODEL NUMBERS:
JOB NUMBER:	