

COLOR AND FINISH CODES

OMX-4SLB-DW-\_\_\_\_\_  
 Large Button ARCHITRAVE™  
 Door Jamb Wallstation

DESCRIPTION

- Fits into door jamb — occupants can adjust lighting as they enter a room.
- Scene selection buttons activate scenes.
  - Provides access for up to five scenes.
  - Status LEDs show which scene is selected.
  - Off button turns all lights off.
  - Master raise/lower brightens or dims all lighting in the selected scene.

Can be custom-configured for other functions.

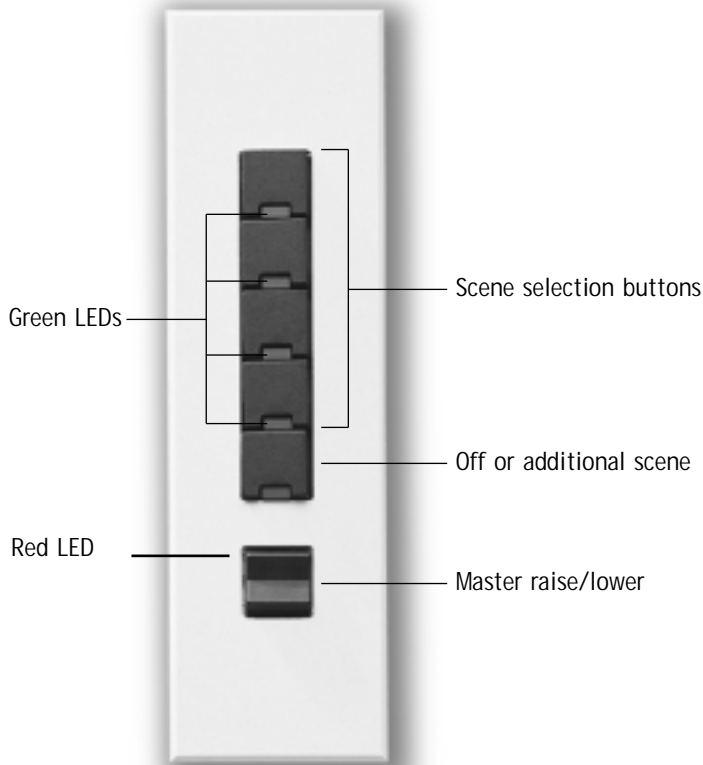
Mounts in Lutron-supplied wallbox P/N 241-663.

Works with Grafik 5000/6000 Systems.

DESIGN OPTIONS

Available with:

- Custom engraving to suit specific project needs
- Green LEDs standard, amber optional



JOB NAME:	MODEL NUMBERS:
JOB NUMBER:	

**SPECIFICATIONS**

**Power**

Operating voltage: Low-voltage Class 2 (PELV), 32VDC.

**Key Design Features**

- Meets IEC 801-2. Tested to withstand 15kV electrostatic discharge without damage or memory loss.
- Has faceplate that snaps on with no visible means of attachment.

**System Communications and Capacity**

- Low-voltage Class 2 (PELV) wiring connects Wallstations to Processor Panel.
- You can link up to 32 Wallstations, Control Units and/or Control Interfaces per Class 2 (PELV) wiring link.

**Terminals**

Capacity: Accept up to two #18 AWG (1.0mm<sup>2</sup>) typical.

**Environment**

32-104°F (0-40°C). Relative humidity less than 90% non-condensing.

**Delivery**

Ships in 4 to 6 weeks depending on system delivery.

**COLOR AND FINISH CODES**

- Painted Finishes**
- White **WH**
  - Ivory **IV**
  - Beige **BE**
  - Gray **GR**
  - Brown **BR**
  - Black **BL**
- Metal Finishes**
- Bright Brass **BB**
  - Bright Chrome **BC**
  - Bright Nickel **BN**
  - Satin Brass **SB**
  - Satin Chrome **SC**
  - Satin Nickel **SN**
  - Antique Brass **QB**
  - Antique Bronze **QZ**

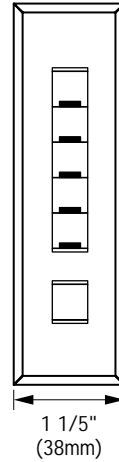
**Anodized Aluminum**

- Clear **CLA**
- Black **BLA**
- Brass **BRA**

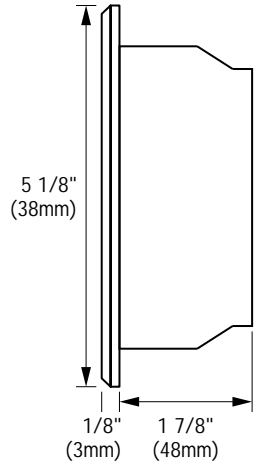
Engraving **E**  
 Custom Controls, color matching, and engraving available. Pricing and lead time may vary depending on colors, finishes, and options chosen.

**DIMENSIONS**

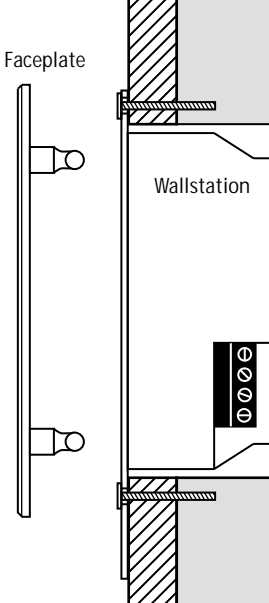
**Front View**



**Side View**

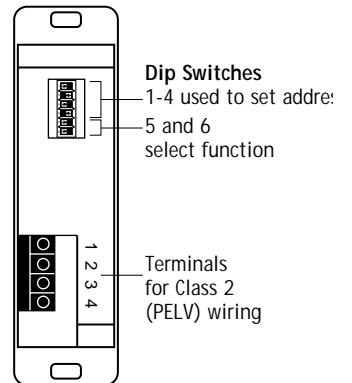


**MOUNTING**



Wallbox P/N 241-663 supplied by Lutron

**Back View**



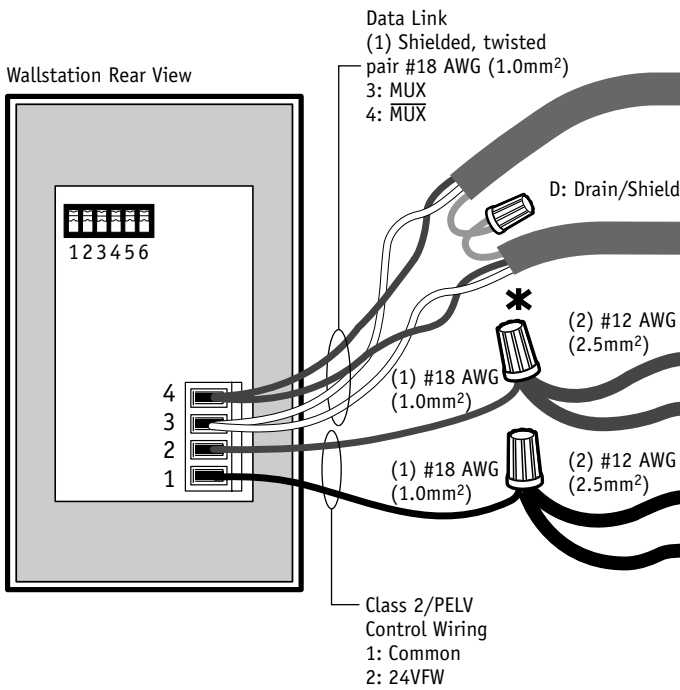
JOB NAME:	MODEL NUMBERS:
JOB NUMBER:	

**LOW-VOLTAGE CLASS 2 (PELV) WIRING**

Use low-voltage Class 2 (PELV) wiring to daisy-chain Wallstations to the Processor Panel.

- Two #12 AWG (2.5mm<sup>2</sup>) conductors for common (terminal 1) and 24VFW (terminal 2). These won't fit in terminals. Connect as shown.
- One shielded, twisted pair #18 AWG (1.0mm<sup>2</sup>) for data link (terminals 3 and 4).
- Connect Drain/Shield as shown.
  - Do not connect to Ground (Earth) or Wallstation.
  - Connect the bare drain wires and cut off the outside shield.

Note: Some Wallstations have a D terminal for Drain. You can connect the Drain/Shield at this terminal.



Make connections inside the wallbox. Or in a switchbox or junction box with a maximum wire length of 8 feet (2.5m) from the link to the Wallstation.

\* Use appropriate wire connecting devices as specified by local codes.

JOB NAME:	MODEL NUMBERS:
JOB NUMBER:	