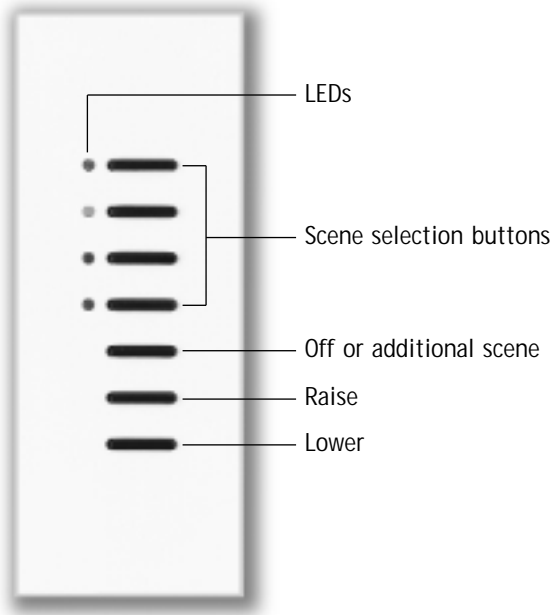


COLOR AND FINISH CODES

OMX-7B-DW-  
7-Button ARCHITRAVE™  
Door Jamb Wallstation



DESCRIPTION

Fits into door jamb — occupants can adjust lighting as they enter a room.

- Scene selection buttons activate scenes.
- Provides access for up to five scenes.
- Status LEDs show which scene is selected.
- Off button turns all lights off.
- Raise and lower buttons brighten or dim all lighting in the selected scene.

Can be custom-configured for other functions.

Mounts in Lutron-supplied wallbox P/N 241-399.

Works with Grafik 5000/6000 Systems.

DESIGN OPTIONS

Available with:

- Custom engraving to suit specific project needs
- Green LEDs standard, amber optional

<p>JOB NAME:</p>  <p>JOB NUMBER:</p>	<p>MODEL NUMBERS:</p>
--	-----------------------

**SPECIFICATIONS**

**Power**

Operating voltage: Low-voltage Class 2 (PELV), 32VDC.

**Key Design Features**

- Meets IEC 801-2. Tested to withstand 15kV electrostatic discharge without damage or memory loss.
- Has faceplate that snaps on with no visible means of attachment.

**System Communications and Capacity**

- Low-voltage Class 2 (PELV) wiring connects Wallstations to Processor Panel.
- You can link up to 32 Wallstations, Control Units and/or Control Interfaces per Class 2 (PELV) wiring link.

**Terminals**

Capacity: Accept up to two #18 AWG (1.0mm<sup>2</sup>) typical.

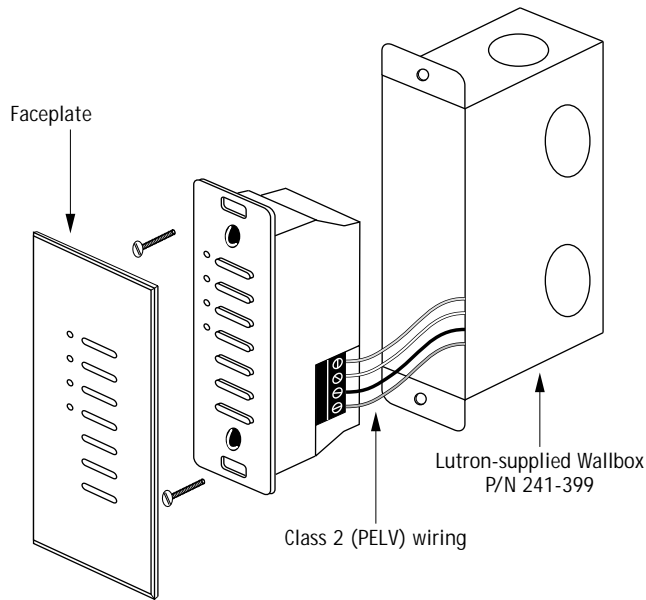
**Environment**

32-104°F (0-40°C). Relative humidity less than 90% non-condensing.

**Delivery**

Ships in 4 to 6 weeks depending on system delivery.

**MOUNTING**



**COLOR AND FINISH CODES**

**Painted Finishes**

- White WH
- Ivory IV
- Beige BE
- Gray GR
- Brown BR
- Black BL

**Metal Finishes**

- Bright Brass BB
- Bright Chrome BC
- Bright Nickel BN
- Satin Brass SB
- Satin Chrome SC
- Satin Nickel SN
- Antique Brass QB
- Antique Bronze QZ

**Anodized Aluminum**

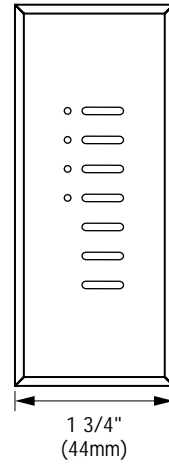
- Clear CLA
- Black BLA
- Brass BRA

**Engraving E**

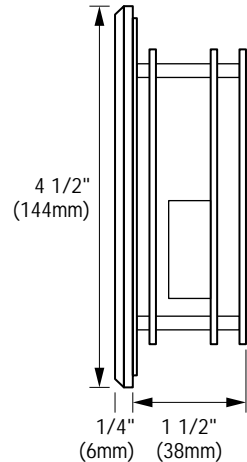
Custom Controls, color matching, and engraving available. Pricing and lead time may vary depending on colors, finishes, and options chosen.

**DIMENSIONS**

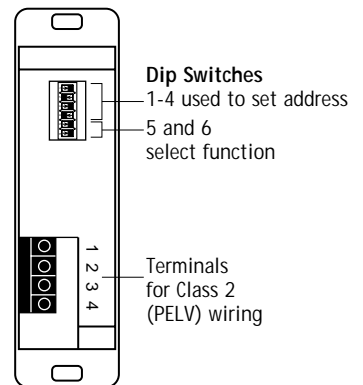
**Front View**



**Side View**



**Back View**



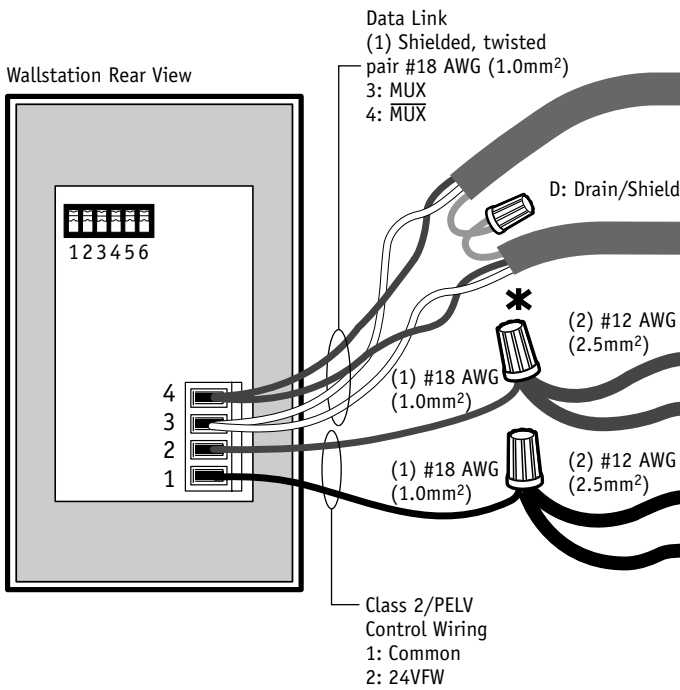
JOB NAME:	MODEL NUMBERS:
JOB NUMBER:	

**LOW-VOLTAGE CLASS 2 (PELV) WIRING**

Use low-voltage Class 2 (PELV) wiring to daisy-chain Wallstations to the Processor Panel.

- Two #12 AWG (2.5mm<sup>2</sup>) conductors for common (terminal 1) and 24VFW (terminal 2). These won't fit in terminals. Connect as shown.
- One shielded, twisted pair #18 AWG (1.0mm<sup>2</sup>) for data link (terminals 3 and 4).
- Connect Drain/Shield as shown.
  - Do not connect to Ground (Earth) or Wallstation.
  - Connect the bare drain wires and cut off the outside shield.

Note: Some Wallstations have a D terminal for Drain. You can connect the Drain/Shield at this terminal.



Make connections inside the wallbox. Or in a switchbox or junction box with a maximum wire length of 8 feet (2.5m) from the link to the Wallstation.

\* Use appropriate wire connecting devices as specified by local codes.

JOB NAME:	MODEL NUMBERS:
JOB NUMBER:	