

The **NTGBO-ML** Master Link allows for the interconnection of *Bang & Olufsen* systems and equipment.

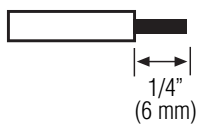
### Important Notes

1. **Read all instructions carefully before starting installation.**
2. This control must be installed by a qualified electrician.
3. Install in accordance with the National Electric Code and all applicable local regulations.
4. Turn power OFF at the control panel before installing controls. Do not connect high-voltage power to low-voltage terminals. Improper wiring can result in personal injury and damage to the control or to other equipment.
5. Use only a cloth with warm water and mild soap to clean faceplates (no chemical cleaners).

### Installation

1. Turn power **Off**.
2. Mount standard U.S. 1-gang wallbox, 2.75 in. (70 mm) deep (available from Lutron P/N 241-519).

3. Strip insulation from wires so that 1/4 in. (6 mm) of bare wire is exposed.



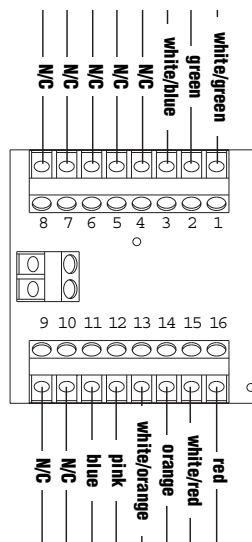
4. Remove the faceplate from the Wallstation. To remove the faceplate, pull outward at each corner, one corner at a time.



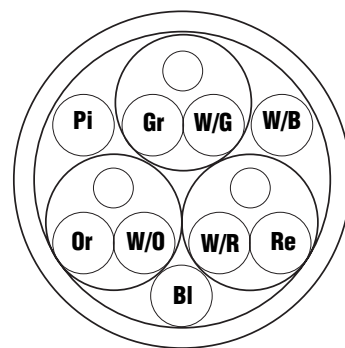
5. Insert each wire from the *Bang & Olufsen* cable into the appropriate terminal located on the back of the NTGBO-ML (see table and figures below). Ensure that no bare wires extend outside the terminals; this could cause a short. Tighten the terminal screws and check that each wire is attached securely.

Terminal Pin #	Cable Color	Function
1	White/Green (W/G)	Data -
2	Green (Gr)	Data +
3	White/Blue (W/B)	ML-Sense
4-10	No Connection	
11	Blue (Bl)	- supply voltage
12	Pink (Pi)	+ supply voltage
13	White/Orange (W/O)	Left Channel (-L)
14	Orange (Or)	Left Channel (+L)
15	White/Red (W/R)	Right Channel (-R)
16	Red (Re)	Right Channel (+R)

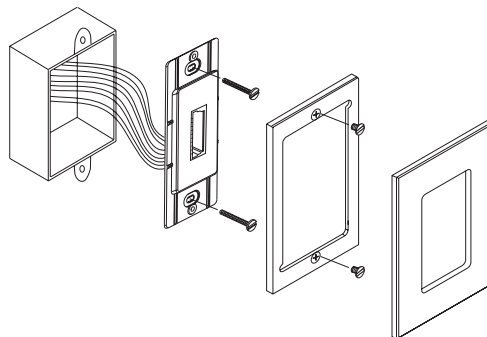
#### Back/Side View



#### B & O Cable



6. Mount the NTGBO-ML as shown below. Attach the faceplate by pressing in at each corner, one corner at a time.



Internet: www.lutron.com  
E-mail: product@lutron.com

**WORLD HEADQUARTERS**  
Lutron Electronics Co. Inc.,  
TOLL FREE: (800) 523-9466  
(U.S.A., Canada, Caribbean)  
Tel: (610) 282-3800;  
International ++1- 610-282-3800  
Fax: (610) 282-1243;  
International ++1-610-282-1243

**GREAT BRITAIN**  
Lutron EA Ltd.,  
Tel: (171) 702-0657;  
International ++44-(0)207-702-0657  
Fax: (171) 480-6899;  
International ++44-(0)207-480-6899

**GERMANY**  
Lutron Electronics GmbH  
Tel: (309) 710-4590;  
International ++49-30-97-10-4590  
Fax: (309) 710-4591;  
International ++49-30-97-10-4591

**FRANCE**  
Lutron LTC  
International ++33-(0)1-44-70-71-86  
Int'l Fax: ++33-(0)1-44-70-70-97

**ASIAN HEADQUARTERS**  
Lutron Asuka Corporation (Japan)  
Tel: (03) 5405-7333;  
International ++81-3-5405-7333  
Fax: (03) 5405-7496;  
International ++81-3-5405-7496

**HONG KONG SALES OFFICE**  
Lutron GL (Hong Kong)  
Tel: 2104-7733;  
International ++852-2104-7733  
Fax: 2104-7633;  
International ++852-2104-7633

**SINGAPORE**  
Lutron GL (Singapore)  
Tel: ++65-220-4666  
Fax: ++65-220-4333

## LIMITED WARRANTY

Lutron will, at its option, repair or replace any unit that is defective in materials or manufacture within one year after purchase. For warranty service, return unit to place of purchase or mail to Lutron at 7200 Suter Rd., Coopersburg, PA 18036-1299, postage pre-paid.

***This warranty is in lieu of all other express warranties, and the implied warranty of merchantability is limited to one year from purchase. This warranty does not cover the cost of installation, removal or reinstallation, or damage resulting from misuse, abuse, or improper or incorrect repair, or damage from improper wiring or installation. This warranty does not cover incidental or consequential damages. Lutron's liability on any claim for damages arising out of or in connection with the manufacture, sale, installation, delivery, or use of the unit shall never exceed the purchase price of the unit.***

This warranty gives you specific legal rights, and you may also have other rights which vary from state to state. Some states do not allow limitations on how long an implied warranty lasts, so the above limitation may not apply to you. Some states do not allow the exclusion or limitation of incidental or consequential damages, so the above limitation or exclusion may not apply to you. These products may be covered under one or more of the following U.S. patents: 4,835,343 and corresponding foreign patents.

Lutron and Grafik Eye are registered trademarks of Lutron Electronics Co., Inc. Bang & Olufsen is a registered trademark and Avant is a trademark of Bang & Olufsen Holding A/S.

© 2001 Lutron Electronics Co., Inc.

**LUTRON®**

Lutron Electronics Co., Inc.  
Made and printed in U.S.A.  
P/N 030-718 Rev. A 7/01